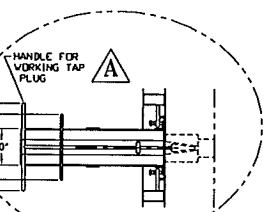
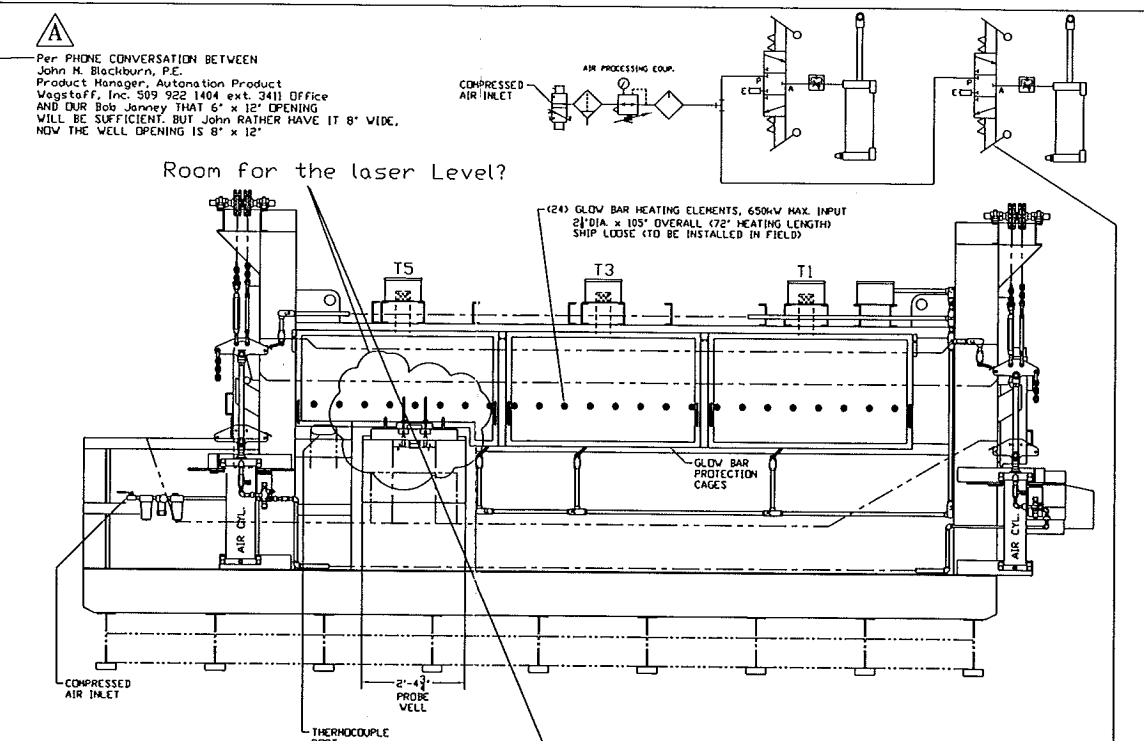
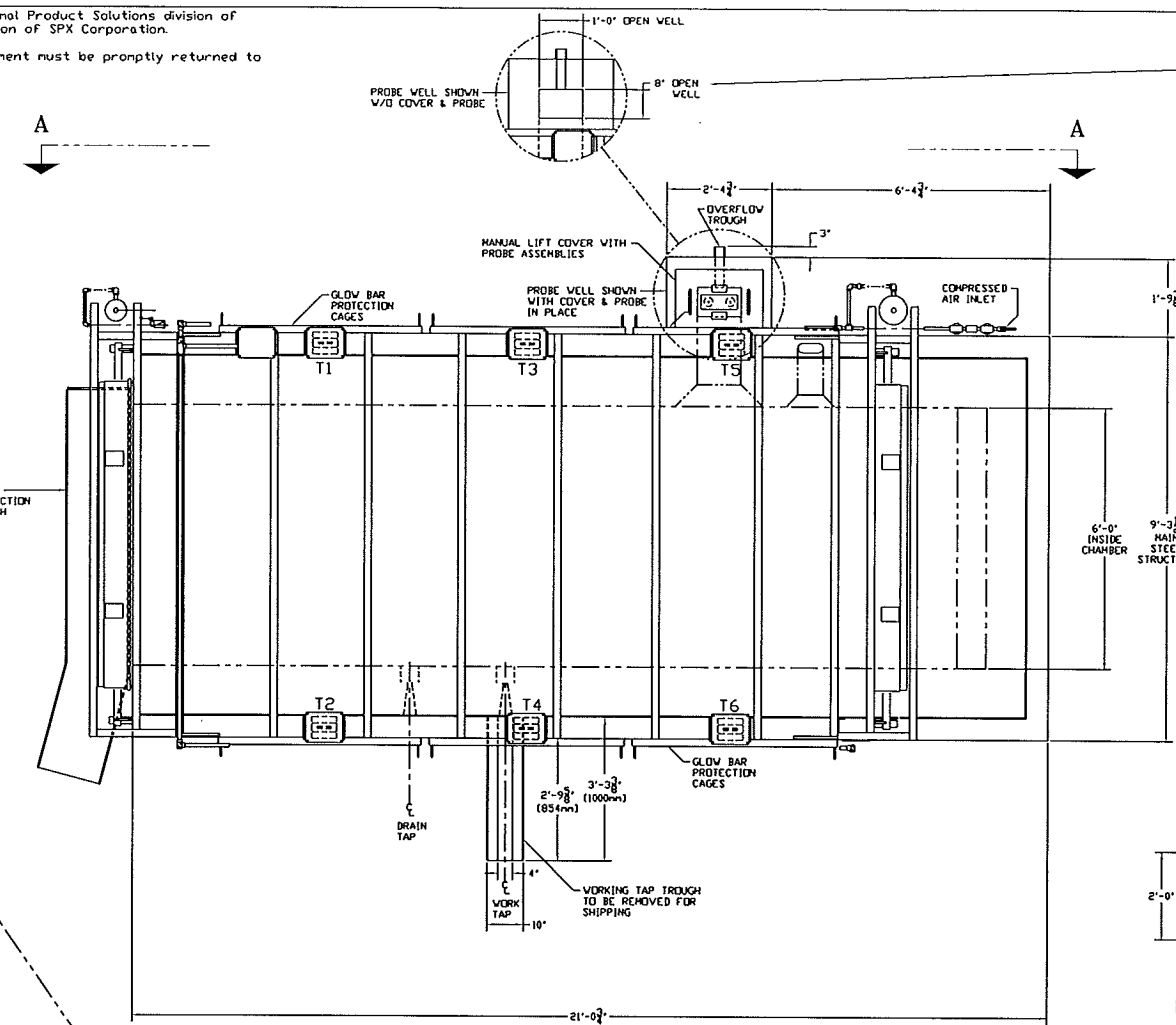
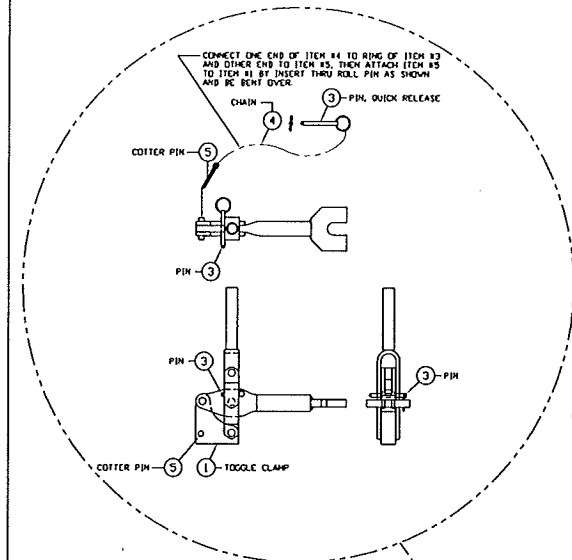


This document contains confidential and/or proprietary information of the Thermal Product Solutions division of SPX Corporation and may not be disclosed, or used without the written permission of SPX Corporation.  
 © 2014 SPX Corporation. All rights reserved.  
 Any authorized use of this document constitutes a revocable license. The document must be promptly returned to SPX Corporation after its use and/or upon demand by SPX Corporation.



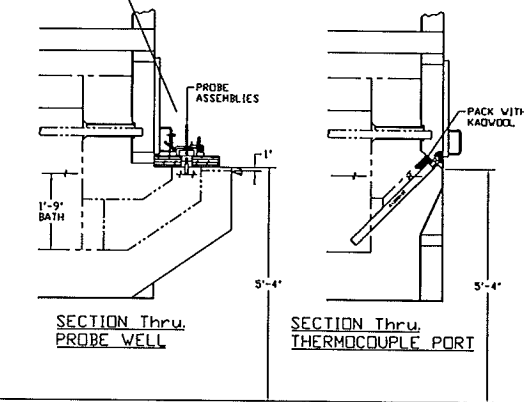
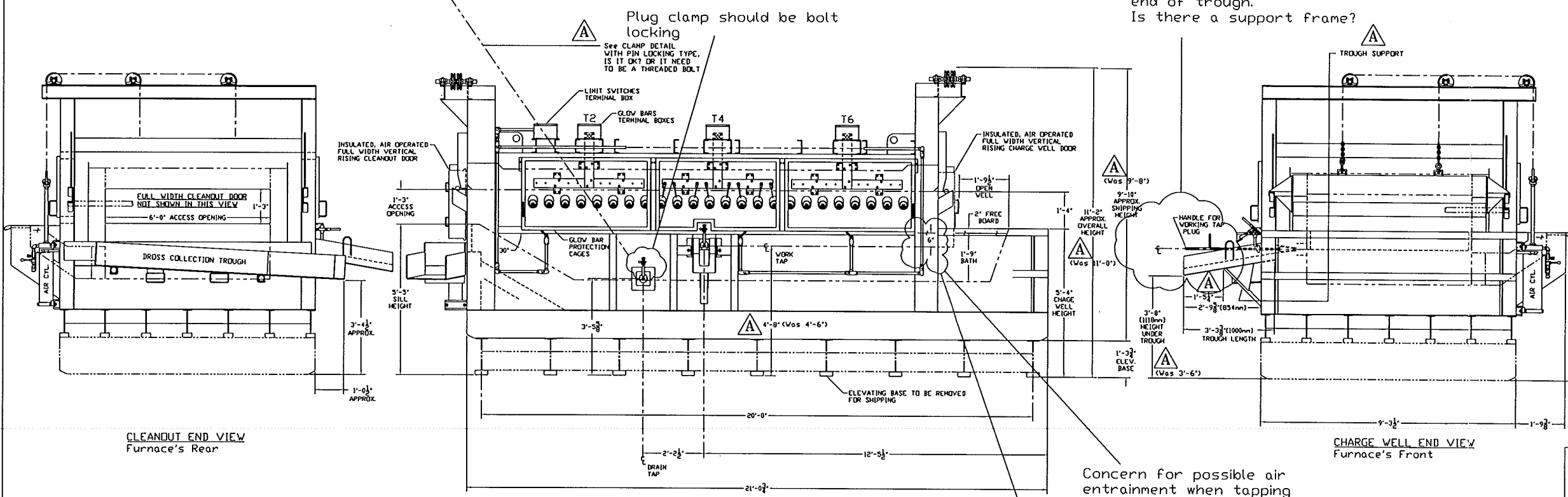
Drawing approvals by NNA related to machinery, tooling, equipment, or controls constitute only a concurrence in the general design, layout, or function, and indicates that the drawing conforms to NNA's general requirements. Drawing approval does not constitute approval of design details, or adequacy of the unit to perform to the specifications. The responsibility for the adequacy of such design, strength of components and the correct functioning of the complete unit in accordance with the requirements solely with the Vendor.

▲ DIRECTIONAL CONTROL HAND VALVES FOR BOTH AIR CYLINDERS ARE: VERSA MVBL-3503-155 (1/4\"/>

APPROVED FOR GENERAL ARRANGEMENT BY \_\_\_\_\_ DATE \_\_\_\_\_

FURNACE PAINT: ~~Hi-Temp Aluminum~~  
 Vis-a-Green?  
 Safety Blue?  
 or OTHERS?

FURNACE CAP: 27,500# With Molten Metal Density of 155# /cf



▲ Concern for possible air entrainment when tapping at 7'-8". Request change to put tap out height above blade bottom maybe 6" depth. What is that in lbs?

REVISION DESCRIPTION	DATE	SYH
REVISOR per MARK UP APPROVED BY Mark Tony Lindberg Miller-Mark Welding (Email to Southpark P. ON 02/27/2007)	FEB-28-07	▲
REVISION DESCRIPTION	DATE	SYH
SIMILAR TO DWG. No.		
FORMER DWG. No.		

**LINDBERG/MPH**  
 P.O. Box 131  
 3827 Riverside Rd.  
 Riverside, MI. 49084  
 Phone: (269) 849-2700  
 Fax: (269) 849-3021

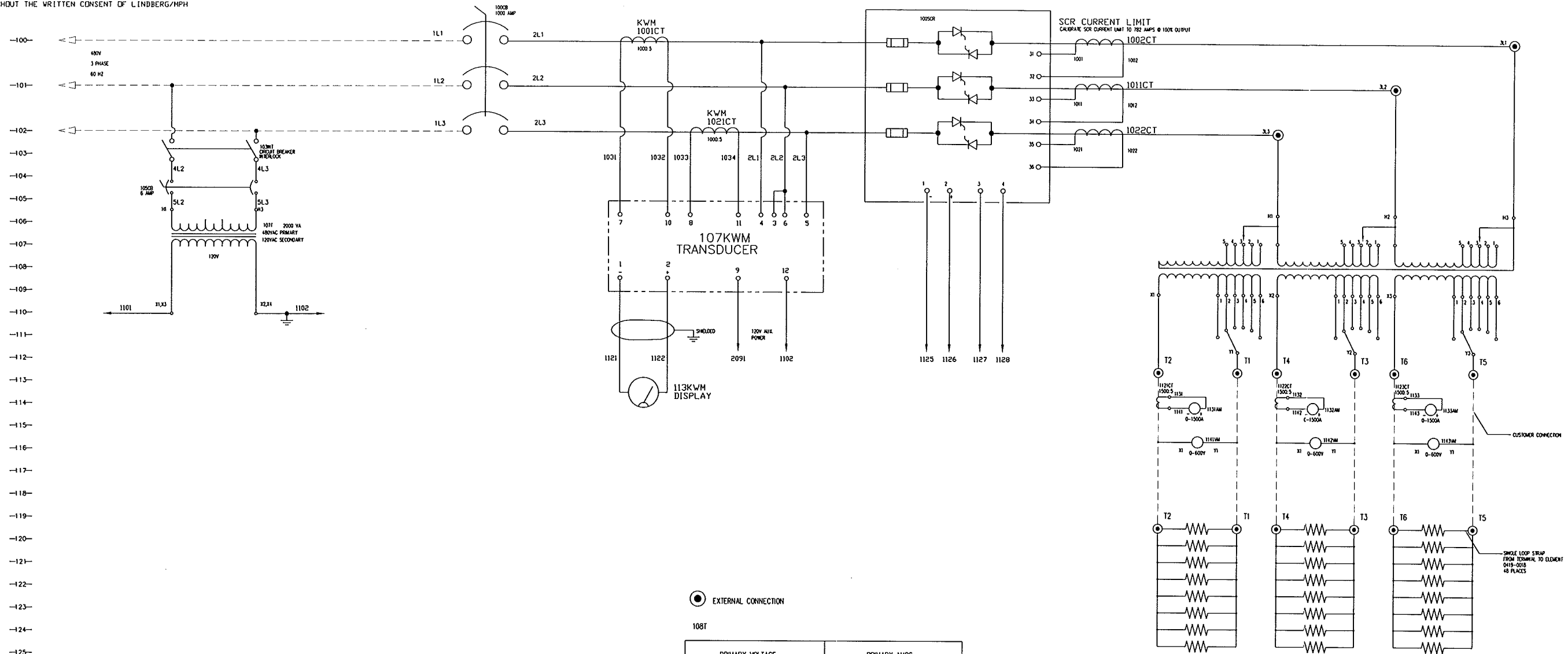
TYPE: 62-EACH-2500 ELECTRIC ALUMINUM CENTRAL MELTING & HOLDING FURNACE  
 PART: GENERAL LAYOUT ARRANGEMENT

DATE: FEB-15-07  
 DRAWN BY: SP  
 CHECKED BY: 1/2" = 1'  
 DWG. No. 2310-200567

NISSAN North America

▲ 6" TAKEOUT APPROX. 7800# (Vas 8") AND INCREASED DOOR'S BOTTOM PORTION (Blade) TO CENTER LINE OF WORK TAP

INFORMATION CONTAINED HEREIN IS CONFIDENTIAL, IS THE PROPERTY OF LINDBERG/MPH  
 IS TO BE USED SOLELY FOR THE PURPOSE PROVIDED, AND IS NOT TO BE DISCLOSED TO OTHERS  
 WITHOUT THE WRITTEN CONSENT OF LINDBERG/MPH



● EXTERNAL CONNECTION

108T

PRIMARY VOLTAGE		PRIMARY AMPS
TAPS	VOLTS (VAC)	AMPS
1	456	
2	468	
3	480	782
4	492	
5	504	

SECONDARY VOLTAGE		SECONDARY AMPS
TAPS	VOLTS (VAC)	AMPS
1	117	909
2	167	1297
3	199	1117
4	236	918
5	281	771
6	334	649

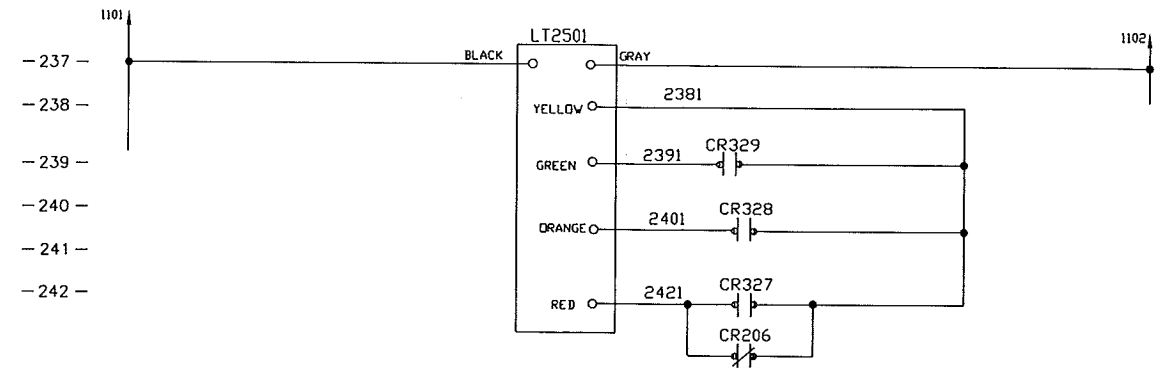
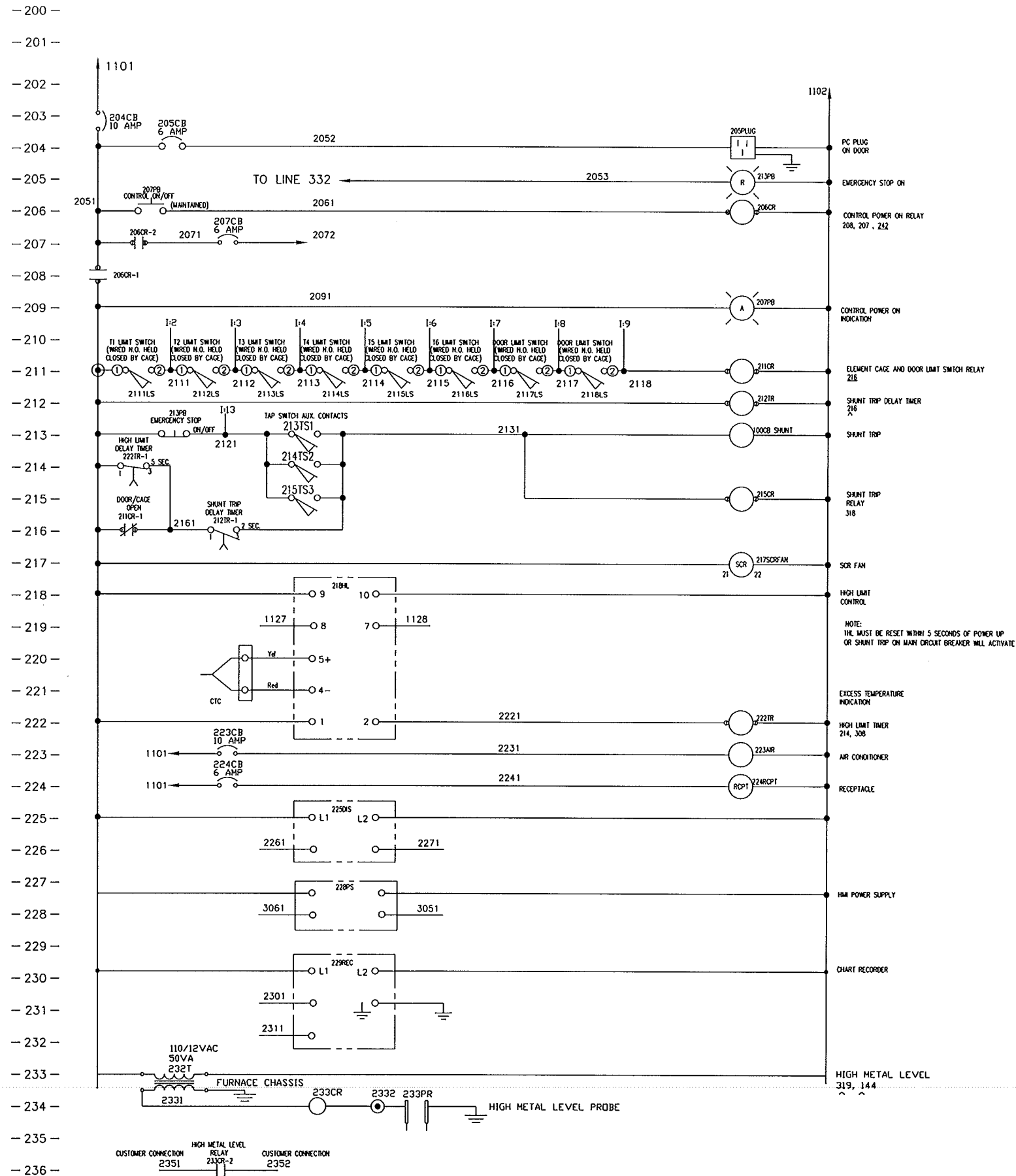
CALIBRATE THE SCR CURRENT LIMIT TO 782 AMPS (PRIMARY SIDE OF TRANSFORMER)  
 VERIFY 1297 AMPS ON THE SECONDARY SIDE OF TRANSFORMER WITH ALL OF THE FOLLOWING CONDITIONS TRUE

1. WITH THE CONTROLLER AT 100% OUTPUT
2. WITH THE TRANSFORMER AT TAP POSITION #2
3. WITH ALL NEW COILBARS IN THE FURNACE (PHASE RESISTANCE OF 0.12875 OHMS)

LINDBERG/MPH  
 P.O. BOX 131  
 RIVERSIDE,  
 MICHIGAN 49084  
 1-269-849-2700 PHONE  
 1-269-849-3021 FAX

ISSUED FOR JOB NUMBER	QTY.	DATE ISSUED TO BUILD
200567	1	2-23-07

TYPE	DATE	DRAWN BY	CUSTOMER
62-FACM-2500 ELECTRICAL SCHEMATIC	2-23-07	DK	NISSAN
DATE REC'D TO BUILD	CHK BY	DK	DWG. NO. 2340-6501E1

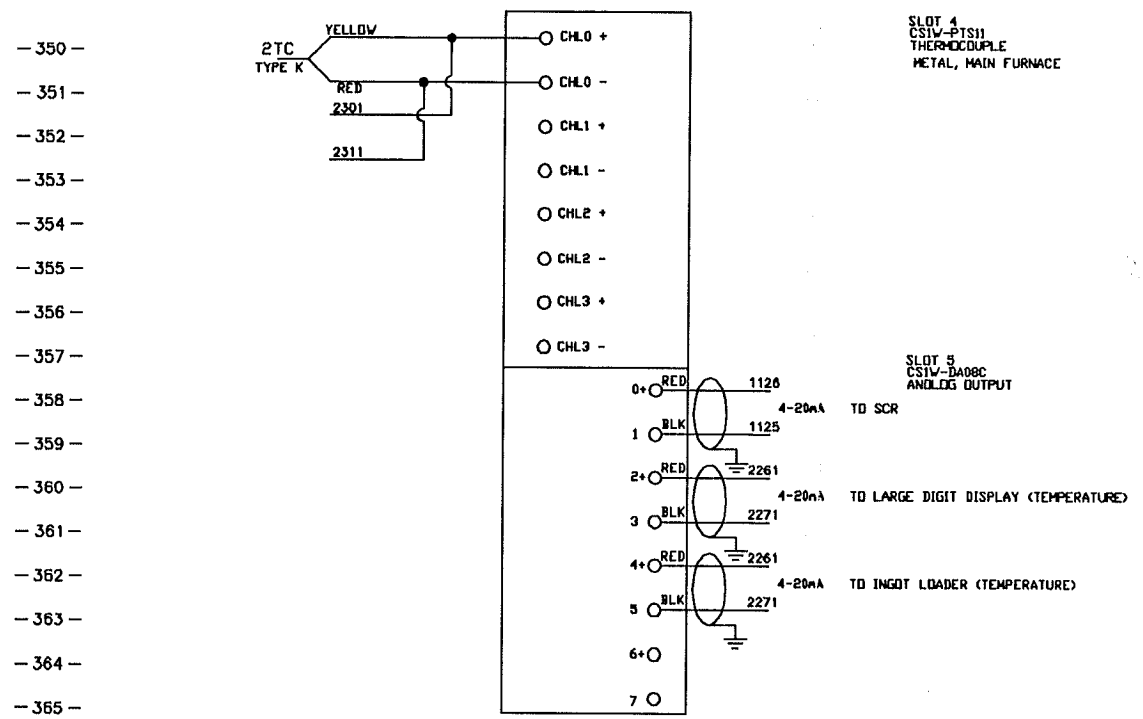
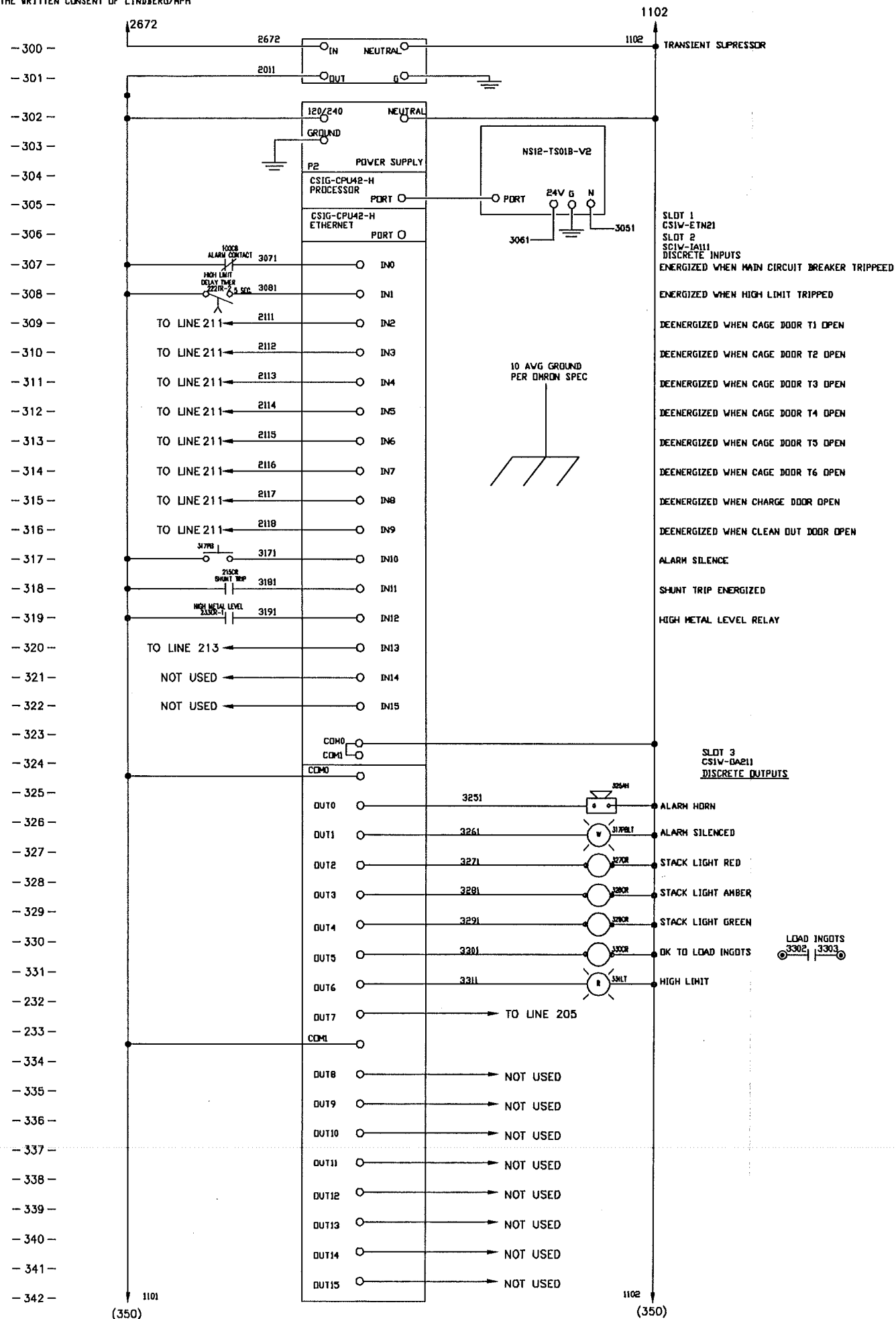


STATION C PATH=C:\623E\406501E2

**LINDBERG/MPH**

P.O. BOX 131  
RIVERSIDE,  
MICHIGAN 49084  
1-269-849-2700 PHONE  
1-269-849-3021 FAX

TYPE	62-EACM-2500		
PART	120VAC CIRCUIT		
REVISION DESCRIPTION	DATE	SYN	CUSTOMER
SIMILAR TO DWG NO.	3-23-07	DK	NISSAN
FORMER DWG NO.	DATE REL'D TO BUIL	OWB	DWG. NO. 2340-6501E2



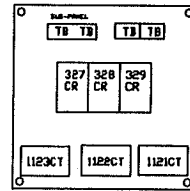
STATION C PATH=C:\623E\406501E3

**LINDBERG/MPH**

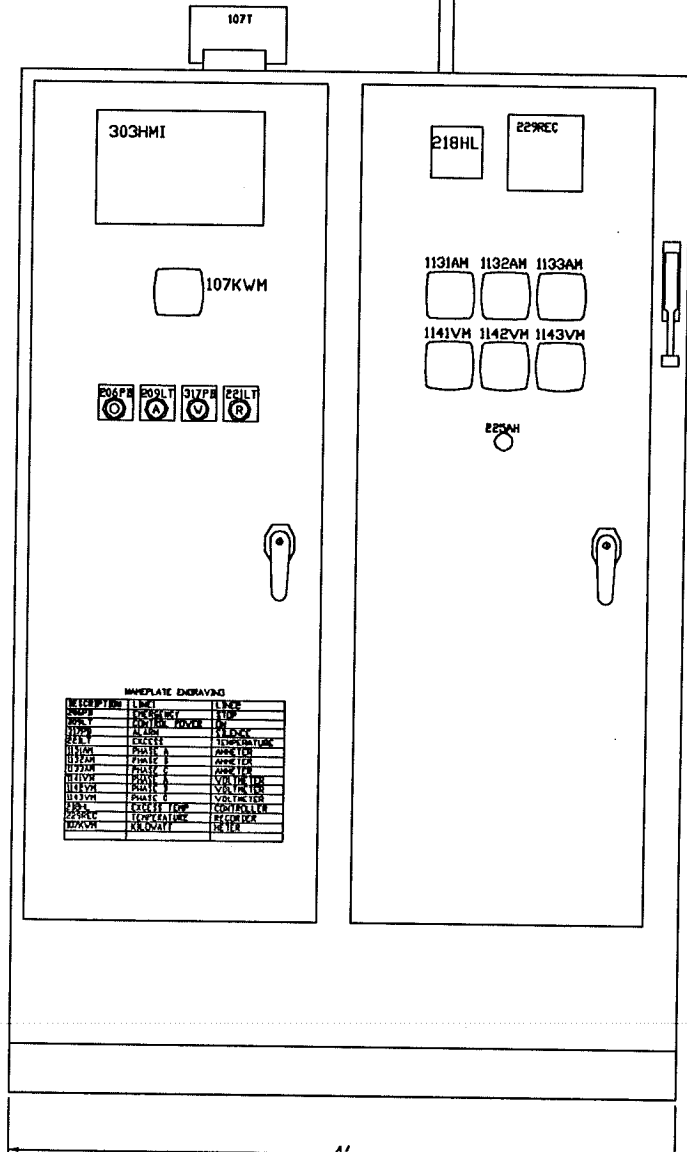
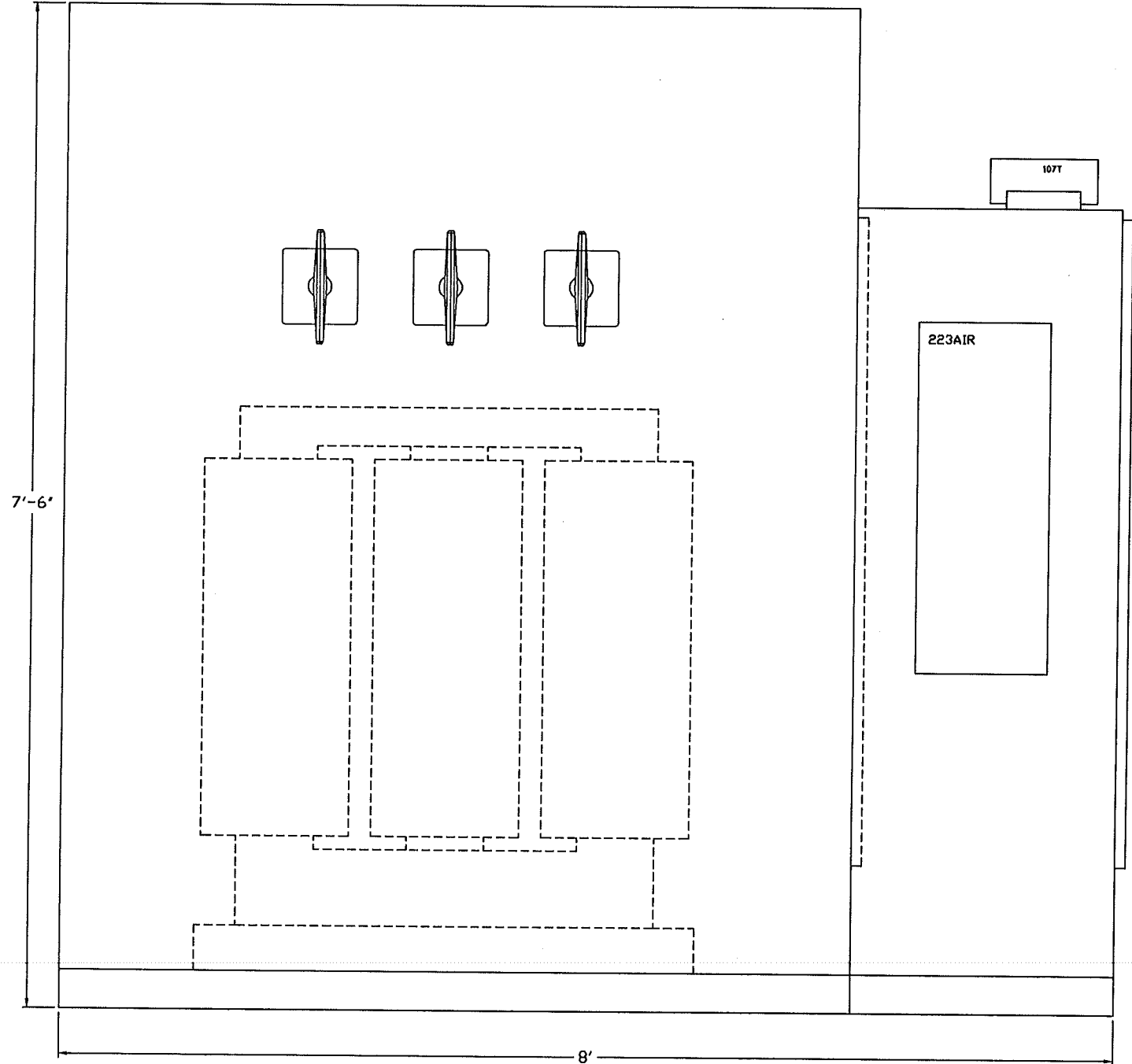
P.O. BOX 131  
 RIVERSIDE,  
 MICHIGAN 49084  
 1-269-848-2700 PHONE  
 1-269-848-5021 FAX

TYPE 62-EACH-2500		DATE 3-23-07		DRAWN BY DK		CUSTOMER NISSAN	
PART PLC CONNECTIONS & ADDRESS ASSIGNMENT		DATE REV'D		CHK'D DK		DWG. NO. 2340-6501E3	
REVISION DESCRIPTION	DATE	SYH	DATE REV'D	CHK'D	DWG. NO.	FORMER DWG. No.	

INFORMATION CONTAINED HEREIN IS CONFIDENTIAL, IS THE PROPERTY OF LINDBERG/MPH IS TO BE USED SOLELY FOR THE PURPOSE PROVIDED, AND IS NOT TO BE DISCLOSED TO OTHERS WITHOUT THE WRITTEN CONSENT OF LINDBERG/MPH



R 327LT  
A 328LT  
G 329LT



IMMEDIATE DRAWING

DESCRIPTION	LINE	LINE
1131AM	1	1131AM
1132AM	2	1132AM
1133AM	3	1133AM
1141VM	4	1141VM
1142VM	5	1142VM
1143VM	6	1143VM
107KWM	7	107KWM
218HL	8	218HL
22REC	9	22REC
303HMI	10	303HMI

QTY	SYM	DESCRIPTION	PART NO.
1	EACH	TRANSFORMER 250VA	0404-0856
3	EACH	TRANSFORMER 150VA	0404-0857
1	EACH	TRANSFORMER 75VA	0404-0858
1	EACH	TRANSFORMER 37.5VA	0404-0859
1	EACH	TRANSFORMER 18.75VA	0404-0860
1	EACH	TRANSFORMER 9.375VA	0404-0861
1	EACH	TRANSFORMER 4.6875VA	0404-0862
1	EACH	TRANSFORMER 2.34375VA	0404-0863
1	EACH	TRANSFORMER 1.171875VA	0404-0864
1	EACH	TRANSFORMER 0.5859375VA	0404-0865
1	EACH	TRANSFORMER 0.29296875VA	0404-0866
1	EACH	TRANSFORMER 0.146484375VA	0404-0867
1	EACH	TRANSFORMER 0.0732421875VA	0404-0868
1	EACH	TRANSFORMER 0.03662109375VA	0404-0869
1	EACH	TRANSFORMER 0.018310546875VA	0404-0870
1	EACH	TRANSFORMER 0.0091552734375VA	0404-0871
1	EACH	TRANSFORMER 0.00457763671875VA	0404-0872
1	EACH	TRANSFORMER 0.002288818359375VA	0404-0873
1	EACH	TRANSFORMER 0.0011444091796875VA	0404-0874
1	EACH	TRANSFORMER 0.00057220458984375VA	0404-0875
1	EACH	TRANSFORMER 0.000286102294921875VA	0404-0876
1	EACH	TRANSFORMER 0.0001430511474609375VA	0404-0877
1	EACH	TRANSFORMER 0.00007152557373046875VA	0404-0878
1	EACH	TRANSFORMER 0.000035762786865234375VA	0404-0879
1	EACH	TRANSFORMER 0.0000178813934326171875VA	0404-0880
1	EACH	TRANSFORMER 0.00000894069671613459375VA	0404-0881
1	EACH	TRANSFORMER 0.0000044703483580671875VA	0404-0882
1	EACH	TRANSFORMER 0.0000022351741790339375VA	0404-0883
1	EACH	TRANSFORMER 0.00000111758708951696875VA	0404-0884
1	EACH	TRANSFORMER 0.0000005587935447584375VA	0404-0885
1	EACH	TRANSFORMER 0.00000027939677237921875VA	0404-0886
1	EACH	TRANSFORMER 0.000000139698386189609375VA	0404-0887
1	EACH	TRANSFORMER 0.00000006984919309484375VA	0404-0888
1	EACH	TRANSFORMER 0.000000034924596547421875VA	0404-0889
1	EACH	TRANSFORMER 0.0000000174622982737109375VA	0404-0890
1	EACH	TRANSFORMER 0.0000000087311491368546875VA	0404-0891
1	EACH	TRANSFORMER 0.00000000436557456842934375VA	0404-0892
1	EACH	TRANSFORMER 0.000000002182787284214671875VA	0404-0893
1	EACH	TRANSFORMER 0.000000001091393642107089375VA	0404-0894
1	EACH	TRANSFORMER 0.000000000545696821035446875VA	0404-0895
1	EACH	TRANSFORMER 0.0000000002728484105177234375VA	0404-0896
1	EACH	TRANSFORMER 0.00000000013642420525886171875VA	0404-0897
1	EACH	TRANSFORMER 0.0000000000682121026294289375VA	0404-0898
1	EACH	TRANSFORMER 0.00000000003410605131471446875VA	0404-0899
1	EACH	TRANSFORMER 0.000000000017053025657357234375VA	0404-0900
1	EACH	TRANSFORMER 0.0000000000085265128286786171875VA	0404-0901
1	EACH	TRANSFORMER 0.0000000000042632564143393089375VA	0404-0902
1	EACH	TRANSFORMER 0.00000000000213162820716695446875VA	0404-0903
1	EACH	TRANSFORMER 0.000000000001065814103583223234375VA	0404-0904
1	EACH	TRANSFORMER 0.0000000000005329070517916116171875VA	0404-0905
1	EACH	TRANSFORMER 0.00000000000026645352589580589375VA	0404-0906
1	EACH	TRANSFORMER 0.000000000000133226762947929446875VA	0404-0907
1	EACH	TRANSFORMER 0.0000000000000666133814739647234375VA	0404-0908
1	EACH	TRANSFORMER 0.00000000000003330679123698236171875VA	0404-0909
1	EACH	TRANSFORMER 0.00000000000001665339561849116089375VA	0404-0910
1	EACH	TRANSFORMER 0.0000000000000083266978092455446875VA	0404-0911
1	EACH	TRANSFORMER 0.00000000000000416334890462277234375VA	0404-0912
1	EACH	TRANSFORMER 0.00000000000000208167445231136716171875VA	0404-0913
1	EACH	TRANSFORMER 0.000000000000001040837226155683589375VA	0404-0914
1	EACH	TRANSFORMER 0.0000000000000005204186131278272946875VA	0404-0915
1	EACH	TRANSFORMER 0.00000000000000026020930656391363671875VA	0404-0916
1	EACH	TRANSFORMER 0.0000000000000001301046532819568184375VA	0404-0917
1	EACH	TRANSFORMER 0.000000000000000065052326640978409375VA	0404-0918
1	EACH	TRANSFORMER 0.0000000000000000325261633204892046875VA	0404-0919
1	EACH	TRANSFORMER 0.000000000000000016263081660204847234375VA	0404-0920
1	EACH	TRANSFORMER 0.0000000000000000081315408302024236171875VA	0404-0921
1	EACH	TRANSFORMER 0.0000000000000000040657704151012116089375VA	0404-0922
1	EACH	TRANSFORMER 0.000000000000000002032885207075505846875VA	0404-0923
1	EACH	TRANSFORMER 0.0000000000000000010164426035377529234375VA	0404-0924
1	EACH	TRANSFORMER 0.000000000000000000508221301768646171875VA	0404-0925
1	EACH	TRANSFORMER 0.000000000000000000254110650884323089375VA	0404-0926
1	EACH	TRANSFORMER 0.000000000000000000127055325441161946875VA	0404-0927
1	EACH	TRANSFORMER 0.00000000000000000006352766270558097234375VA	0404-0928
1	EACH	TRANSFORMER 0.000000000000000000031763831352790486171875VA	0404-0929
1	EACH	TRANSFORMER 0.000000000000000000015881915663752443089375VA	0404-0930
1	EACH	TRANSFORMER 0.000000000000000000007940957831876221946875VA	0404-0931
1	EACH	TRANSFORMER 0.00000000000000000000397047891593811089375VA	0404-0932
1	EACH	TRANSFORMER 0.00000000000000000000198523945796905446875VA	0404-0933
1	EACH	TRANSFORMER 0.0000000000000000000009926197289847234375VA	0404-0934
1	EACH	TRANSFORMER 0.00000000000000000000049630986449116089375VA	0404-0935
1	EACH	TRANSFORMER 0.0000000000000000000002481549322455846875VA	0404-0936
1	EACH	TRANSFORMER 0.000000000000000000000124077466122777234375VA	0404-0937
1	EACH	TRANSFORMER 0.00000000000000000000006203873306136716171875VA	0404-0938
1	EACH	TRANSFORMER 0.0000000000000000000000310193665308089375VA	0404-0939
1	EACH	TRANSFORMER 0.0000000000000000000000155096832654046875VA	0404-0940
1	EACH	TRANSFORMER 0.00000000000000000000000775484163270234375VA	0404-0941
1	EACH	TRANSFORMER 0.00000000000000000000000387742081635171875VA	0404-0942
1	EACH	TRANSFORMER 0.000000000000000000000001938710408176089375VA	0404-0943
1	EACH	TRANSFORMER 0.0000000000000000000000009693552040846875VA	0404-0944
1	EACH	TRANSFORMER 0.00000000000000000000000048467760204234375VA	0404-0945
1	EACH	TRANSFORMER 0.00000000000000000000000024233880102116089375VA	0404-0946
1	EACH	TRANSFORMER 0.00000000000000000000000012116940051055846875VA	0404-0947
1	EACH	TRANSFORMER 0.00000000000000000000000006058470025277234375VA	0404-0948
1	EACH	TRANSFORMER 0.00000000000000000000000003029235012636716171875VA	0404-0949
1	EACH	TRANSFORMER 0.000000000000000000000000015146175063183589375VA	0404-0950
1	EACH	TRANSFORMER 0.00000000000000000000000000757308753161946875VA	0404-0951
1	EACH	TRANSFORMER 0.000000000000000000000000003786543765789375VA	0404-0952
1	EACH	TRANSFORMER 0.0000000000000000000000000018932718828946875VA	0404-0953
1	EACH	TRANSFORMER 0.000000000000000000000000000946635941446875VA	0404-0954
1	EACH	TRANSFORMER 0.0000000000000000000000000004733179707234375VA	0404-0955
1	EACH	TRANSFORMER 0.00000000000000000000000000023665898536716171875VA	0404-0956
1	EACH	TRANSFORMER 0.000000000000000000000000000118329492683589375VA	0404-0957
1	EACH	TRANSFORMER 0.0000000000000000000000000000591647463446875VA	0404-0958
1	EACH	TRANSFORMER 0.00000000000000000000000000002958237317234375VA	0404-0959
1	EACH	TRANSFORMER 0.000000000000000000000000000014791186586171875VA	0404-0960
1	EACH	TRANSFORMER 0.0000000000000000000000000000073955932936716171875VA	0404-0961
1	EACH	TRANSFORMER 0.00000000000000000000000000000369779664683589375VA	0404-0962
1	EACH	TRANSFORMER 0.000000000000000000000000000001848898323446875VA	0404-0963
1	EACH	TRANSFORMER 0.0000000000000000000000000000009244491617234375VA	0404-0964
1	EACH	TRANSFORMER 0.00000000000000000000000000000046222458086171875VA	0404-0965
1	EACH	TRANSFORMER 0.00000000000000000000000000000023111229043089375VA	0404-0966
1	EACH	TRANSFORMER 0.00000000000000000000000000000011555614521646875VA	0404-0967
1	EACH	TRANSFORMER 0.000000000000000000000000000000057778072608234375VA	0404-0968
1	EACH	TRANSFORMER 0.000000000000000000000000000000028889036304116089375VA	0404-0969
1	EACH	TRANSFORMER 0.000000000000000000000000000000014444518152046875VA	0404-0970
1	EACH	TRANSFORMER 0.0000000000000000000000000000000072222590760234375VA	0404-0971
1	EACH	TRANSFORMER 0.0000000000000000000000000000000036111295380116089375VA	0404-0972
1	EACH	TRANSFORMER 0.0000000000000000000000000000000018055647690046875VA	0404-0973
1	EACH	TRANSFORMER 0.00000000000000000000000000000000090278238450234375VA	0404-0974
1	EACH	TRANSFORMER 0.00000000000000000000000000000000045139119225116089375VA	0404-0975
1	EACH	TRANSFORMER 0.0000000000000000000000000000000002256955961255846875VA	0404-0976
1	EACH	TRANSFORMER 0.00000000000000000000000000000000011284779806277234375VA	0404-0977
1	EACH	TRANSFORMER 0.00000000000000000000000000000000005642389903136716171875VA	0404-0978
1	EACH	TRANSFORMER 0.00000000000000000000000000000000002821194951583589375VA	0404-0979
1	EACH	TRANSFORMER 0.000000000000000000000000000000000014105974757916089375VA	0404-0980
1	EACH	TRANSFORMER 0.000000000000000000000000000000000007052987378946875VA	0404-0981
1	EACH	TRANSFORMER 0.00000000000000000000000000000000000352649368947234375VA	0404-0982
1	EACH	TRANSFORMER 0.0000000000000000000000000000000000017632468447116089375VA	0404-0983
1	EACH	TRANSFORMER 0.000000000000000000000000000000000000881623422355846875VA	0404-0984
1	EACH	TRANSFORMER 0.00000000000000000000000000000000000044081171117234375VA	0404-0985
1	EACH	TRANSFORMER 0.000000000000000000000000000000000000220405855586171875VA	0404-0986
1	EACH	TRANSFORMER 0.000000000000000000000000000000000000110202927793089375VA	0404-0987
1	EACH	TRANSFORMER 0.00000000000000000000000000000000000005510146389646875VA	0404-0988
1	EACH	TRANSFORMER 0.000000000000000000000000000000000000027550731948234375VA	0404-0989
1	EACH	TRANSFORMER 0.000000000000000000000000000000000000013775365974116089375VA	0404-0990
1	EACH	TRANSFORMER 0.000000000000000000000000000000000000006887682987046875VA	0404-0991
1	EACH	TRANSFORMER 0.0000000000000000000000000000000000000034438414935234375VA	0404-0992
1	EACH	TRANSFORMER 0.00000000000000000000000000000000000000172192074676171875VA	0404-0993
1	EACH	TRANSFORMER 0.000000000000000000000000000000000000000860960373389375VA	0404-0994
1	EACH	TRANSFORMER 0.0000000000000000000000000000000000000004304801866946875VA	0404-0995
1	EACH	TRANSFORMER 0.000000000000000000000000000000000000000215240093347234375VA	0404-0996
1	EACH	TRANSFORMER 0.00000000000000000000000000000000000000010762004667116089375VA	0404-0997
1	EACH	TRANSFORMER 0.00538100233355846875VA	0404-0998
1	EACH	TRANSFORMER 0.0026905011667234375VA	0404-0999
1	EACH	TRANSFORMER 0.00134525058336716171875VA	0404-1000